

SONY[®]

FORMAT CONVERTER BOARD

HKSR-5001



INSTALLATION MANUAL
1st Edition (Revised 3)

⚠ 警告

このマニュアルは、サービス専用です。
お客様が、このマニュアルに記載された設置や保守、点検、修理などを行うと感電や火災、人身事故につながる可能性があります。
危険をさけるため、サービストレーニングを受けた技術者のみご使用ください。

設置や保守、点検、修理などを行う前に、VTR本体に付属している下記マニュアルの「安全のために」を必ずお読みください。

- HKSR-5001 を装着する VTR 本体 (SRW-5000/5500, または SRW-5100/5800)
インストラクションマニュアルおよびオペレーションマニュアル

⚠ WARNING

This manual is intended for qualified service personnel only.
To reduce the risk of electric shock, fire or injury, do not perform any servicing other than that contained in the operating instructions unless you are qualified to do so. Refer all servicing to qualified service personnel.

⚠ WARNUNG

Die Anleitung ist nur für qualifiziertes Fachpersonal bestimmt.
Alle Wartungsarbeiten dürfen nur von qualifiziertem Fachpersonal ausgeführt werden. Um die Gefahr eines elektrischen Schlages, Feuergefahr und Verletzungen zu vermeiden, sind bei Wartungsarbeiten strikt die Angaben in der Anleitung zu befolgen. Andere als die angegebenen Wartungsarbeiten dürfen nur von Personen ausgeführt werden, die eine spezielle Befähigung dazu besitzen.

⚠ AVERTISSEMENT

Ce manuel est destiné uniquement aux personnes compétentes en charge de l'entretien. Afin de réduire les risques de décharge électrique, d'incendie ou de blessure n'effectuer que les réparations indiquées dans le mode d'emploi à moins d'être qualifié pour en effectuer d'autres. Pour toute réparation faire appel à une personne compétente uniquement.

Section 1

Installation

Purpose of this manual

This manual is an installation manual of Format Converter Board HKSR-5001.

This manual is intended for system and service engineers, so describes information regarding installation.

Note

Figures for SRW-5000 are used in this manual unless otherwise specified.

Related manual

Besides this installation manual, the following manual is available for HKSR-5001.

- SRW-5000/5500 Maintenance Manual (available on request)

This manual describes the information for the maintenance of this unit and the information that premises the parts level service.

If this information is required, please contact your local Sony Sales Office/Service Center.

1-1. Specifications

General

FC-91 Board

Dimensions (w/h)	FC-91 Board:	355 × 183 mm
Mass	FC-91 Board:	approx. 764 g
Power requirements	+6.2 V dc:	3200 mA
	+3.3 V dc:	10 mA
	+2.5 V dc:	300 mA
	−6.2 V dc:	100 mA
Power consumption		approx. 21.3 W

FC-111 Board

Dimensions (w/h)	FC-111 Board:	355 × 183 mm
Mass	FC-111 Board:	approx. 764 g
Power requirements	+6.2 V dc:	2700 mA
	+3.3 V dc:	10 mA
	+2.5 V dc:	1100 mA
	−6.2 V dc:	100 mA
Power consumption		approx. 20.2 W

1-2. Installation Overview

Components

HKSR-5001 is composed of the following items:

- FC-91 assembly/FC-111 board
- Installation manual

Applicable models

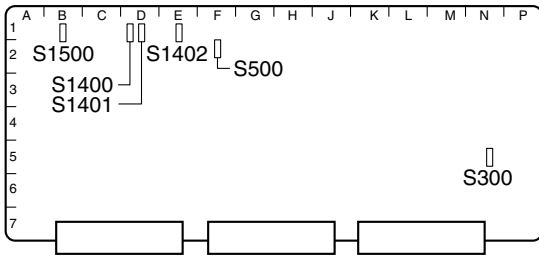
SRW-5000/5100/5500/5800

Installation of HKSR-5001

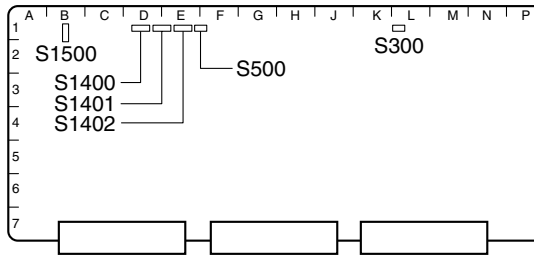
The HKSR-5001 comprises the FC-91 and TX-96 boards, or FC-111 board.

Attach and adjust the HKSR-5001 properly, following the procedures in Section 1-3 and later.

Description on the function of FC-91/111 board

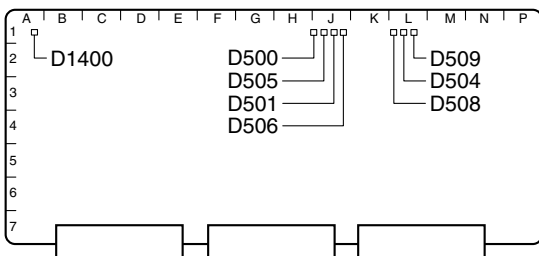


FC-91 Board (Side A)

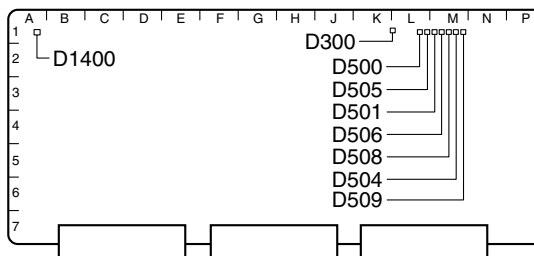


FC-111 Board (Side A)

Ref No.	Bit	Name	Description	Factory Setting
S300	1 to 4	—	Factory use	OFF
S500	1 to 4	—	Factory use	OFF
S1400	1 to 4	—	Factory use	ON
	5, 6	—	Factory use	OFF
	7	—	Factory use	ON
	8	—	Factory use	OFF
S1401	1 to 8	—	Factory use	OFF
S1402	1 to 8	—	Factory use	OFF
S1500	—	CPU reset switch	Press to initialize the CPU	OFF



FC-91 Board (Side A)



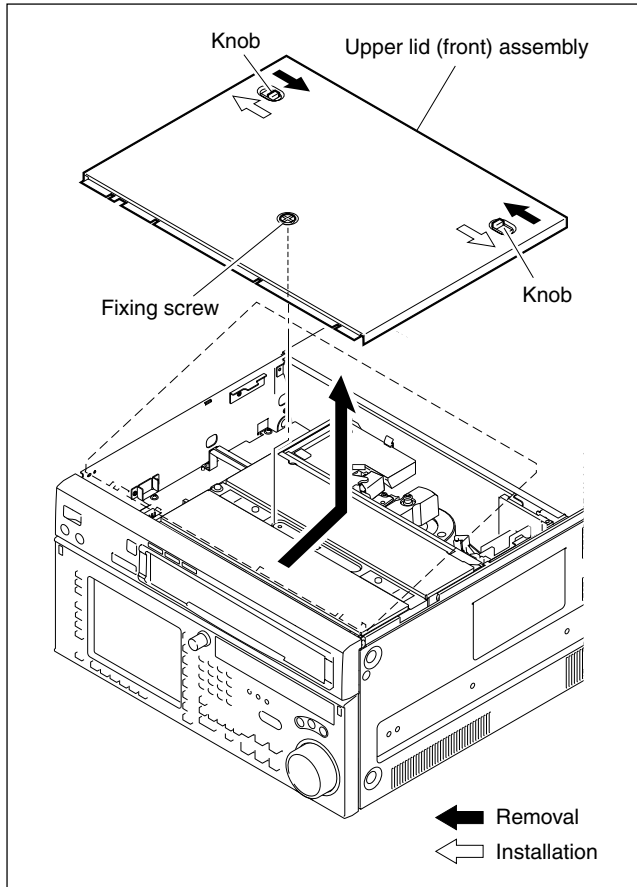
FC-111 Board (Side A)

Ref No.	Name	LED color	Description	Normal state
D300*	3G	Green	Lights when the 3G HSDSI (FC-111 board only)	—
D500*	—	Green	Factory use	—
D505*	—	Green	Factory use	—
D501*	—	Green	Factory use	—
D506*	—	Green	Factory use	—
D508*	—	Red	Factory use	—
D504*	—	Red	Factory use	—
D509*	—	Red	Factory use	—
D1400*	—	Green	CPU operation status (Abnormal: ON or OFF)	Blinking

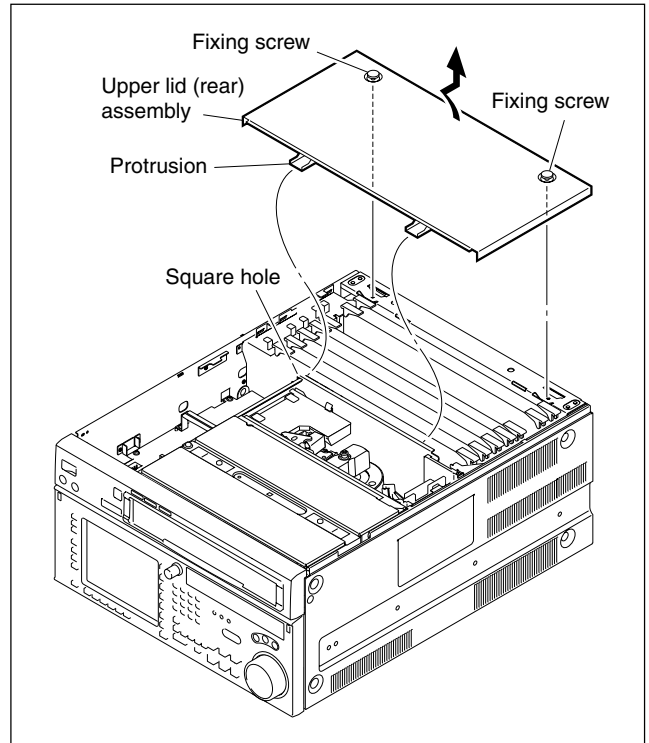
※: These LEDs marked with * are arranged on the board in this order.

1-3. Installation Procedure

1. Turn off the power of the VTR.
2. Fully loosen the fixing screw, and then slide the two knobs on the upper lid (front) assembly each to the inside. (Move the knobs to the outside to fix the upper lid (front) assembly.)
3. Remove the upper lid (front) assembly in the arrow direction.



4. Fully loosen the two fixing screws, and then remove the upper lid (rear) assembly in the arrow direction.

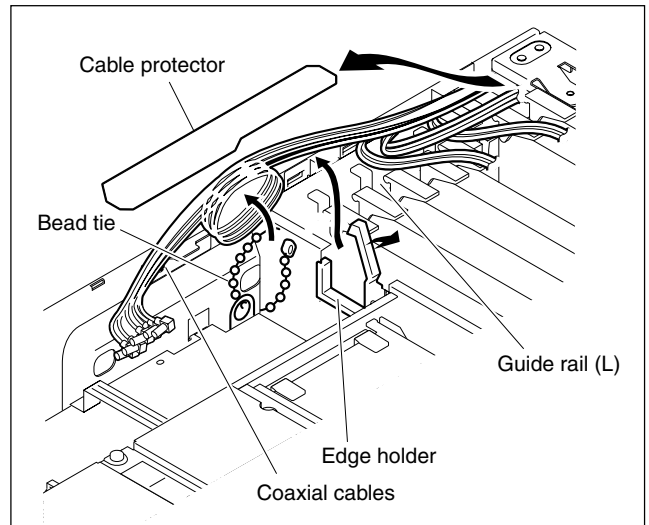


5. Remove the cable protector and then the bead tie.

Note

The cable protector is not used for SRW-5100/5800.

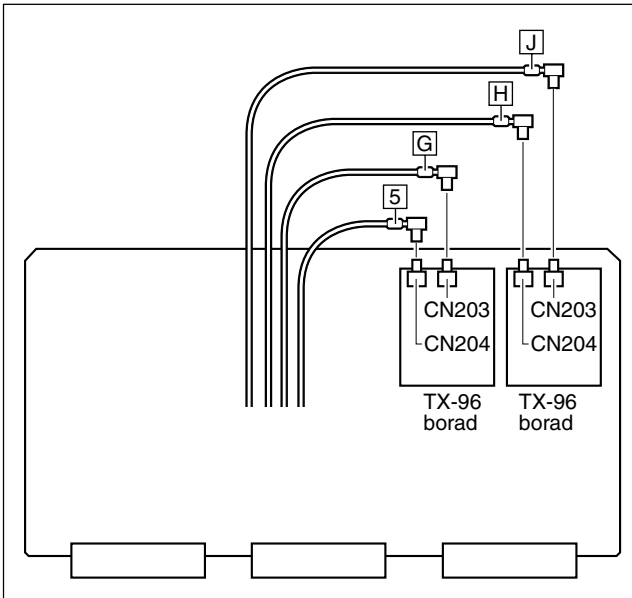
6. Open the edge holder and release the coaxial cables.



- When installing the FC-91 board, connect the coaxial cables to the CN203 and CN204 connectors on the TX-96 board.

Note

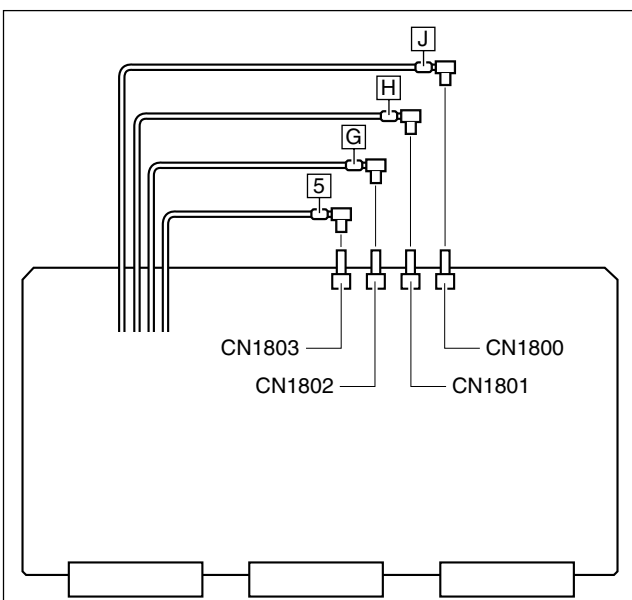
Connect the coaxial cables as shown in the figure below, while paying attention to its combination and connecting direction.



When installing the FC-111 board, connect the coaxial cables to the CN1800, CN1801, CN1802, and CN1803.

Note

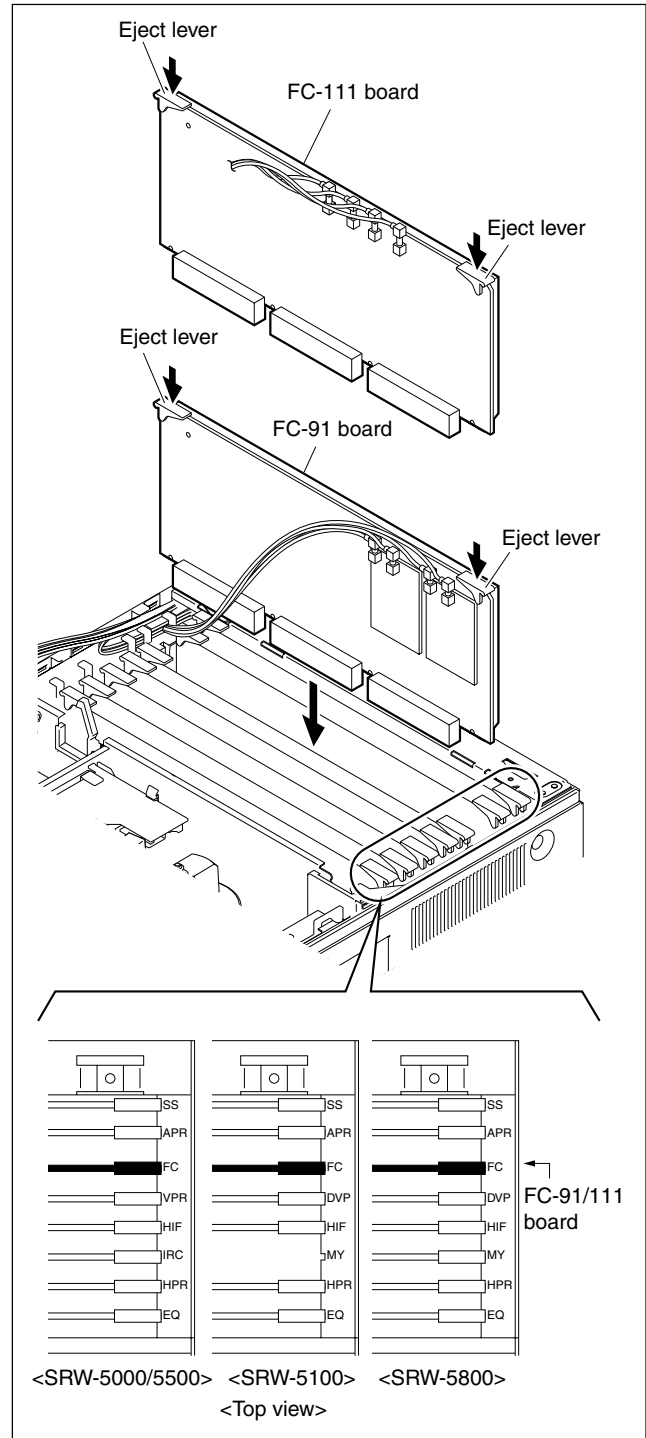
Connect the coaxial cables as shown in the figure below, while paying attention to its combination and connecting direction.



- Securely insert the FC-91/111 board into the “FC” slot to tightly connect the board to the connector on the motherboard, while pressing down the two eject levers.

Note

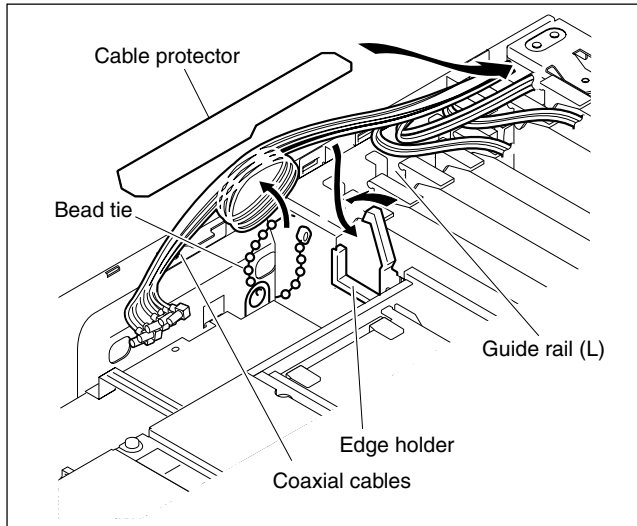
When inserting the FC-91/111 board, pay attention not to catch the coaxial cables.



- Clamp the unnecessary cables with the edge holder and the bead tie, and then install the cable protector.

Note

The cable protector is not used for SRW-5100/5800.

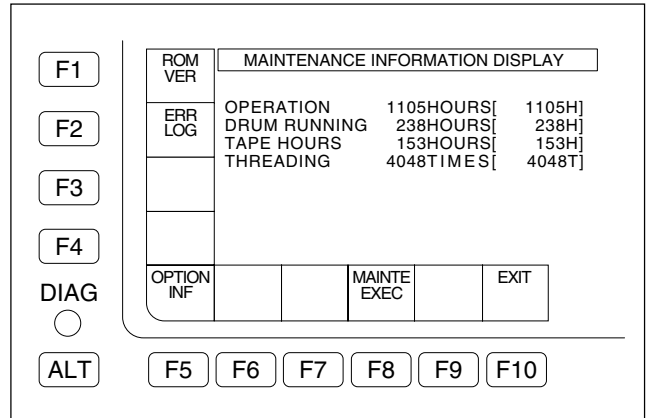


- Reattach the upper lid (rear) assembly and then tighten the two fixing screws.
- Reattach the upper lid (front) assembly and then tighten the fixing screw.
- Slide the two knobs each to the outside.
- Confirm that the optional board has been identified by the MAINTENANCE INFORMATION menu. (Refer to Section 1-4.)

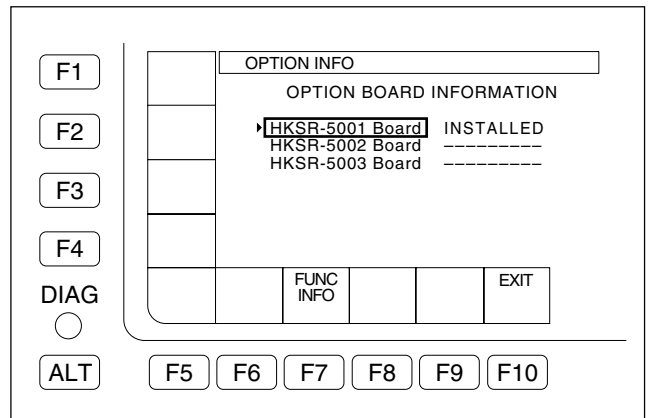
1-4. Confirming Identification of Optional Board

Confirmation Procedure

- On the HOME menu, press the DIAG button while pressing the **SFT** (shift) key. The MAINTENANCE INFORMATION menu appears.



- Press **F5** (OPTION INF) key. The OPTION INFORMATION menu appears.



- Check that "INSTALLED" is displayed for the HKSR-5001 board.

Note

For more information on the maintenance mode, Refer to Section 3 of the VTR Maintenance Manual Volume 1.

このマニュアルに記載されている事柄の著作権は当社にあります。

従って、当社の許可なしに無断で複写したり、説明内容(操作、保守等)と異なる目的で本マニュアルを使用することを禁止します。

The material contained in this manual consists of information that is the property of Sony Corporation. Sony Corporation expressly prohibits the duplication of any portion of this manual or the use thereof for any purpose other than the operation or maintenance of the equipment described in this manual without the express written permission of Sony Corporation.

Le matériel contenu dans ce manuel consiste en informations qui sont la propriété de Sony Corporation. Sony Corporation interdit formellement la copie de quelque partie que ce soit de ce manuel ou son emploi pour tout autre but que des opérations ou entretiens de l'équipement à moins d'une permission écrite de Sony Corporation.

Das in dieser Anleitung enthaltene Material besteht aus Informationen, die Eigentum der Sony Corporation sind. Die Sony Corporation untersagt ausdrücklich die Vervielfältigung jeglicher Teile dieser Anleitung oder den Gebrauch derselben für irgendeinen anderen Zweck als die Bedienung oder Wartung der in dieser Anleitung beschriebenen Ausrüstung ohne ausdrückliche schriftliche Erlaubnis der Sony Corporation.

