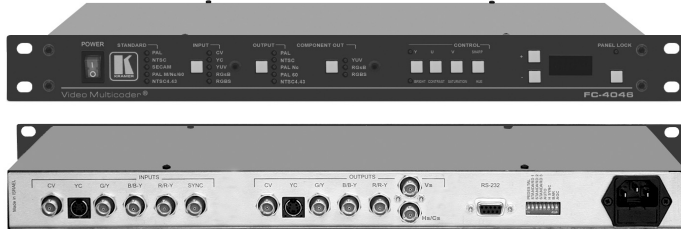


FC-4046

MultiCoder® Universal Analog Video Format Transcoder

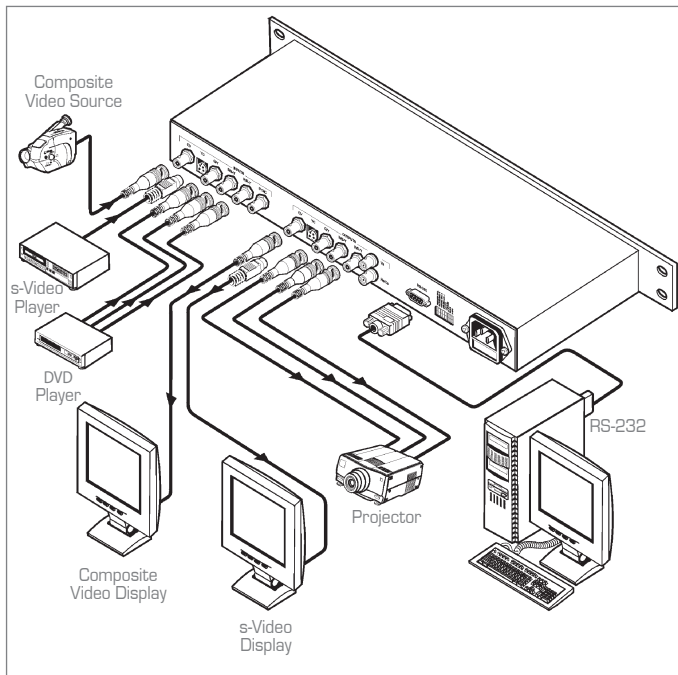
NEW



The **FC-4046** is a high performance, broadcast quality, universal video transcoder for analog video signals. It converts a composite video, s-Video (Y/C), or RGB/component video (YUV, RGSB, or RGBS) signal, to composite video, s-Video (Y/C) and RGB/component video (YUV, RGSB, or RGBS) signals simultaneously.

FEATURES

- **Bandwidth (Y & CV)** - 5.5MHz (-3dB).
- **Control** - Front panel and RS-232.
- **Bi-directional Format Conversion** - A composite video, s-Video, or component video input is simultaneously output as composite video, s-video and component video.
- **Multi-Standard** - PAL, SECAM, NTSC 3.58/4.43 (selectable).
- **Automatic Video Standards Recognition.**
- **Standards Conversion** - Between PAL and SECAM or NTSC 3.58 and 4.43 of same field rates (50Hz or 60Hz).
- **Proc-Amp Control** - Brightness, contrast, color (saturation) and hue (NTSC Only).
- **Color Bar Generator.**
- **Front Panel Lockout.**
- **Non-Volatile Memory.**
- **Standard 19" Rack Mount Size** - 1U
- **Worldwide Power Supply** - 96264-V AC



TECHNICAL SPECIFICATIONS

INPUTS:	CV: 1Vpp/75Ω on BNC connector; YC: 1Vpp/75Ω (Y); 0.3Vpp/75Ω (C) on 4p connector; R/R-Y, G/Y, B/B-Y SYNC on BNC connectors.
OUTPUTS:	CV: 1Vpp/75Ω on BNC connector; YC: 1Vpp/75Ω (Y); 0.3Vpp/75Ω (C) on 4p connector; R/R-Y, G/Y, B/B-Y, H, V on BNC connectors.
MAX. OUTPUT LEVEL:	1.4Vpp.
BANDWIDTH (-3dB):	5MHz, Fully Loaded.
DIFF. GAIN:	1%.
DIFF. PHASE:	0.7 Deg.
K-FACTOR:	0.4%.
S/N RATIO:	66dB.
CONTROLS:	Input/Output Format Selectors, hue, bright, contrast and saturation controls.
POWER SOURCE:	90264-VAC, 50/60 Hz; 15VA.
DIMENSIONS:	19-inch (W), 7-inch (D) 1U (H) rack-mountable.
WEIGHT:	2.6kg. (5.8lbs.) approx.
ACCESSORIES:	Power cord, Null modem adapter, Windows®-based control software.