

DESCRIPTION

The ARG-6800+ Audio Remote Gain Amplifier is a high performance amplifier that offers remotely controlled audio gain that can be increased for specific applications. Control is selectable to either remote or local. Flat frequency response, carefully controlled roll-off and very low distortion ensure a virtually transparent transmission path.

The input is over-voltage protected up to 120 Volts AC or DC. The transformerless, balanced input is normally bridging, but can be terminated by installing a suitable resistor. Unbalanced input is converted to balanced output. Isolation between modules in the mounting frame is better than 90dB over the entire audio frequency band.

FEATURES

- ▶ **Balanced inputs and outputs**
- ▶ **Remote control for mute settings**
- ▶ **Remote indication for channel state and overload**
- ▶ **Remote and local control for independent channel gain adjustment**
- ▶ **Local control for selecting output configuration**
- ▶ **Configurable outputs to one of the following options:**
 - Eight outputs designated to one channel (1x8)
 - Four outputs designated to channel A, four outputs designated to channel B (dual 1x4)
 - Eight outputs designated to the combined stream of both channels (2x8 sum)

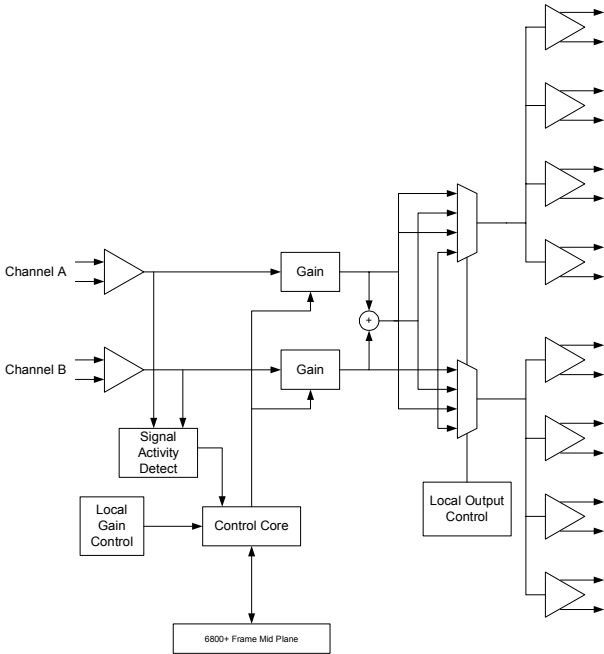


Figure 1 ARG6800+ Block Diagram

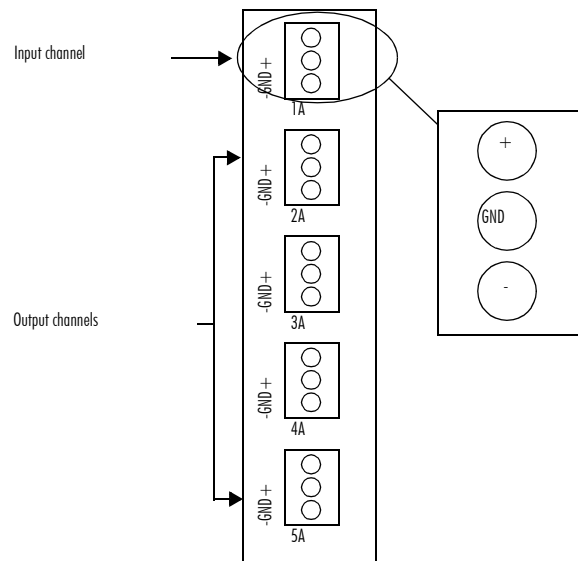


Figure 2 Single-Slot Back Connector for FR6802+ Frame (ARG6800+SR)

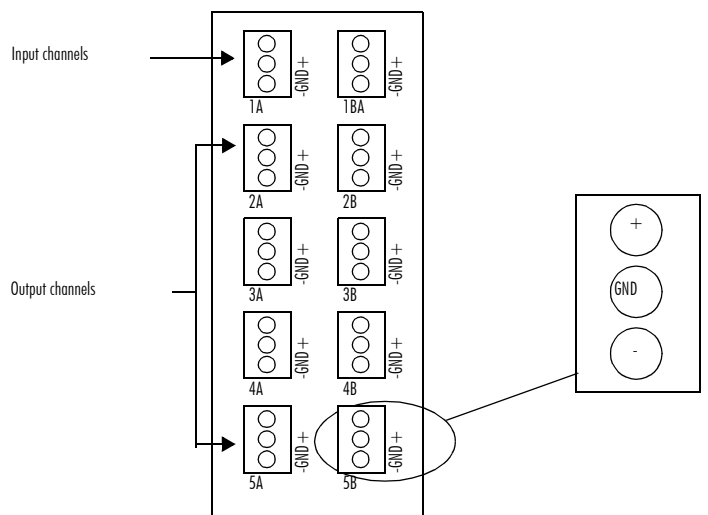


Figure 3 Double-Slot Back Connector for FR6802+ Sign>+ Frame (ARG6800+DR)

SPECIFICATIONS

Specifications and designs are subject to change without notice.

BALANCED ANALOG AUDIO INPUT

Number of inputs	ARG6800+SR: 1 input ARG6800+DR: 2 inputs
Connector	3-pin Leitch audio connector
Signal type	Balanced
Input impedance	HiZ, >30 kΩ
Maximum input level	+28 dBu
CMR range	±20 V
CMRR (common mode rejection ratio)	90 dB @ 60 Hz @ 8 dBu
Gain range	-95.5 to 31.5 dB in 0.5 dB steps (gain increment tolerance ±0.05 dB)
Gain trim	Local front adjust potentiometers provide ±1.5 dB to set exact unity

BALANCED ANALOG AUDIO OUTPUT

Number of outputs	ARG6800+SR: 4 outputs ARG6800+DR: 8 outputs
Connector	3-pin Leitch audio connector
Signal type	Balanced
Output impedance	66Ω
Maximum output level	+28 dBu

PERFORMANCE

SNR	>90 dB @ unity gain, 20 Hz to 20 kHz relative to +8 dBu signal, unweighted
Frequency response	±0.05 dB 20 Hz to 20 kHz relative to 1 kHz @ unity gain
THD	<0.02% 20 Hz to 20 kHz @ 24 dBu
IMD	<0.02%, SMPTE @ +18 dBu
Crosstalk	>85 dB isolation, 20 Hz to 20 kHz
Output isolation	>70 dB, 20 Hz to 20 kHz

CHANNEL MONITORING SPECIFICATIONS

Channel state	Inactive state if Channel < -40 dBu for 5 sec Active state if Channel > -40 dBu for 5 sec
Channel overload	Overload condition if Channel > 23.5 dBu for 1 sec

POWER CONSUMPTION

PTotal power required by the ARG6800+ is 3 W.

ORDERING INFORMATION

For more information visit www.leitch.com

AES-6880	AES/EBU Distribution Amplifier, coax, for 6800 series frames.
AES-6880-70C	AES/EBU Distribution Amplifier, coax, for 7000 series and/or 1302/2602 series frames, includes 6800-M rear connector module
ARG6800+	Remote Gain, Signal Activity Analog Audio DA, module only
ARG6800+S	Remote Gain, Signal Activity Analog Audio DA, with single rear connector panel using 5 x 3-pin audio connector
ARG6800+SR	Rear Connector for ARG6800+, 5 x 3-pin audio connector
ARG6800+D	Remote Gain, Signal Activity Analog Audio DA, with dual rear connector panel using 10 x 3-pin audio connector
ARG6800+DR	Rear Connector for ARG6800+, 10 x 3-pin audio connector