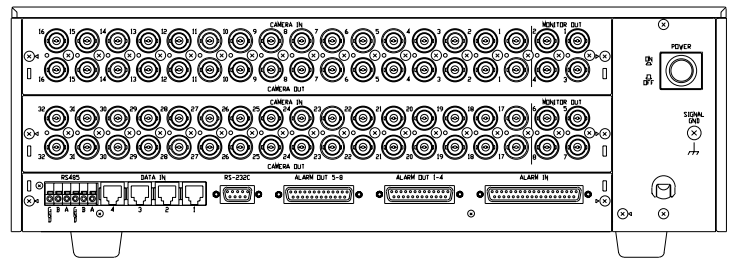
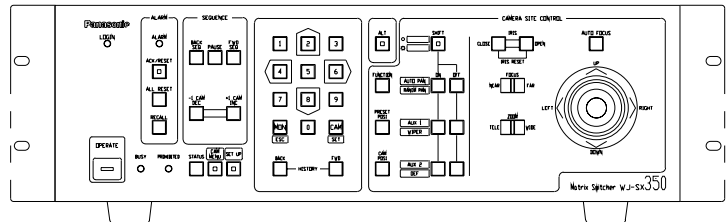
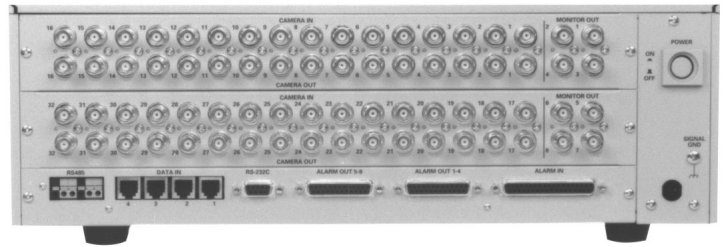
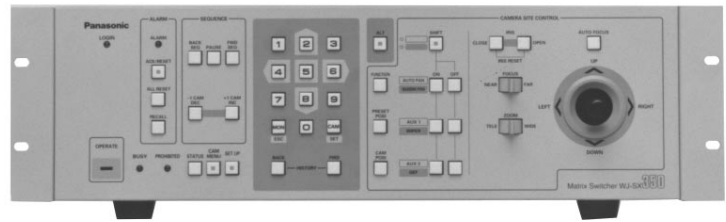


WJ-SX350 Compact Matrix System

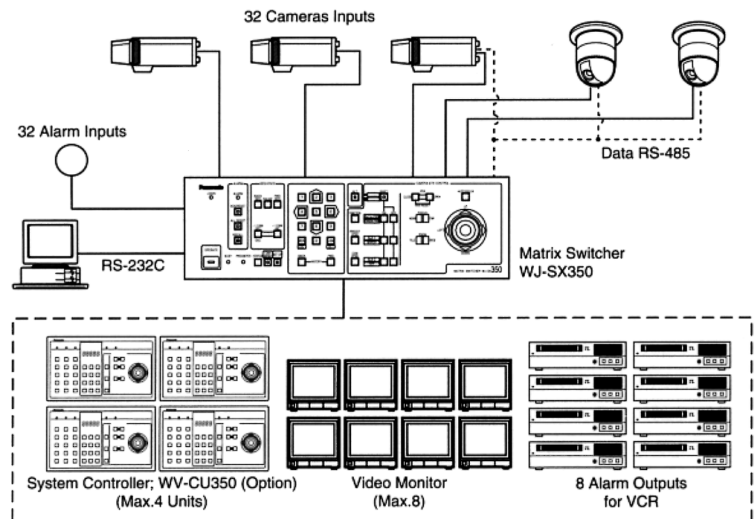
PRODUCT FEATURES

- Small scale matrix system with PTZ camera control
- Allows for flexible control of 32 cameras, 8 monitors and 4 system controllers
- Extensive program capability includes versatile camera sequencing, flexible alarm mode, time/date event scheduling, and system partitioning
- 32 tour sequence patterns can be programmed
- Group sequence mode allows any combination of cameras to be switched onto a designated group of monitors in synchronization
- Any tour or group sequence can be selected by operators manually
- 32 alarm inputs, 8 alarm outputs
- 3 alarm modes available
- 3 operator access levels to system for set-up and operation
- Password protection
- Operator priority
- RS-232C communication port for PC control
- Camera control capability with RS-485 camera model (WV-CSR654)
- Optional external system controller Model WV-CU350
- Available 3rd quarter 1999

The WJ-SX350 matrix switcher allows for flexible control of 32 cameras, 8 monitors and 4 system controllers. Its extensive program capability includes versatile camera sequencing, flexible alarm mode, time/date event scheduling, password protection, operator's access level, priority, and system partitioning for outstanding flexibility.



SYSTEM EXAMPLE



WJ-SX350 Compact Matrix System

GENERAL SPECIFICATIONS

Power Supply	NTSC; 120VAC, 60Hz
Power Consumption	45W
No. of Camera Inputs	32
No. of Monitor Outputs	8
No. of Alarm Inputs	32 (37-pin D-Sub connector)
No. of Alarm Outputs	8 (25-pin D-Sub connector) x 2
No. of System Controllers	4 (WV-CU350)
RS-232C Port	9-pin D-Sub connector
RS-485 Terminal	Half duplex (A, B, GND) x 2
Ambient Operating Temperature	14°F ~ 122°F (-10°C ~ +50°C)
Ambient Operating Humidity	Less than 90%
Camera Input/Output (1~32)	1.0V [p-p]/75 ohms composite video signal with 75 ohms automatic termination/loophrough
Monitor Output (1~8)	1.0V [p-p]/75 ohms composite video signal
Alarm Input (1~32)	Make contact or open collector input
Alarm Output (1~8)	Open collector output; 16VDC 100mA max.
Reset Output (1~8)	Pulse (VTR): +5VDC 500ms or Open collector output: 16VDC 100mA max.
External Timing Input (1~8)	Pulse 5V [p-p] interval time more than 1 sec.
Recover Input (1~8)	Make contact or open collector input
Data Input Port (1~4)	6-conductor modular jack (RS-485, full duplex)
Switching Functions	Tour/group/backward/forward sequence; forward/reverse step
Camera Control Functions	Electronic shutter: on/off, shutter speed select; Electronic sensitivity up mode select: auto/manual/off; ALC/ELC: ALC/ELC or manual; Automatic gain control: on/off; White balance: ATW/AWC; Back light compensation: auto/preset/off; Site alarm (motion detector): on/off; Site alarm (motion detector) display mode: on/off
Lens Control Functions	Iris: open/close/preset (only with DC control lens); Focus: near/far; Zoom: tele/wide; Auto focus: activate

Housing	Wiper: on/off; Defroster: on/off; Camera: on/off
Pan/Tilt	Manual pan: right/left; Manual tilt: up/down; Auto pan: on/off; Random pan: on/off, preset, home
Auxiliary Switch Character Generator	AUX 1-2: on/off Camera title: 30 characters (15 x 2 lines)
Dimensions	5 ¹³ / ₁₆ "H x 16 ¹ / ₁₆ "W x 13 ³ / ₄ "D (147 x 420 x 350mm)
Weight	22 lbs. (10kg)
SET-UP MENU	
Camera Switching	
Dwell Time	Min. 1 sec. to max. 30 sec.
Max. No. of Sequences	Tour sequence 32 (any monitors); Group sequence 4 (any monitors)
No. of Programming Steps	32
Timer Event Program	
Timer Events (Start & Stop)	16/day
Formats of Timer Event Program	Day of week
Alarm Program	
Max. No. of Alarm Recalls	99
Alarm Activations	Mode-1: any alarms to 1 monitor; Mode-2: any alarms to 4 monitors; Mode-3: programmable
Timer Alarms (Start & Stop)	16/day
Formats of Timer Alarm Program	Day of week
Operator Set-Up	
Max. Operator Registrations	15 operators with 5-digit password and priority
Access Operator Levels	3 levels
OPTIONAL ACCESSORY WV-CU350	System Controller
Weights and dimensions shown are approximate. Specifications subject to change without notice.	

ARCHITECTS' AND ENGINEERS' BID SPECIFICATIONS

The matrix switcher shall be a Panasonic WJ-SX350 or equivalent. It shall have rear panel connections for up to 32 color or black-and-white cameras, 8 monitors, 32 alarms, 4 controllers and 8 VTRs. The unit shall be able to route any camera signal to any connected monitor. It shall enable remote control of RS-485 equipped cameras, including pan/tilt, focus, zoom and iris functions. The unit shall have a built-in RS-232C interface to make it suitable for use in computer-controlled systems. The matrix switcher shall feature versatile camera switching modes, including: 32 tour sequence patterns, each with independent control of dwell time (1-30 seconds) and preset positions of cameras; and 4 group synchronized sequence patterns, allowing cameras on specific zones/floors to be synchronized together on a designated group of monitors. The unit shall feature user-friendly, on-screen menus for controlling sequences. The unit shall feature flexible alarm activation, with 3 modes: Alarm Mode 1, in which a single monitor displays 1 or more alarms; Alarm Mode 2, in which the first monitor displays the first alarm, the second monitor displays the second alarm, and so on; and Alarm Mode 3, in which any alarm can be assigned to any monitor. The VTR shall be able to supply VTRs with an alarm output signal to switch time-lapse recording modes. Power source shall be 120VAC, 60Hz and power consumption 32W. The unit's dimensions shall not exceed 5¹³/₁₆"H x 16¹/₁₆"W x 13³/₄"D and its weight shall not exceed 22 lbs.