

WV-7110A/7120D/7130D CAMERA HOUSINGS

WV-7110A Dustproof Indoor Housing

- For 1/2" series cameras
- Installation of the housing is possible even after completion of camera setup and cable wiring
- Top/bottom mounting handle
- Detachable front cover for lens adjustments
- Use with most Panasonic cameras



WV-7110A

ARCHITECTS' AND ENGINEERS' BID SPECIFICATIONS

The indoor wall/ceiling housing shall be a Panasonic Model WV-7110A or equivalent. The indoor camera housing shall be constructed of high impact plastic with a clear viewing window. The main body of the enclosure shall be removable allowing access to camera and lens without changing the camera's field of view. The camera shall mount to a moveable swivel mount. The mount shall allow camera rotation a full 180° to accommodate various mounting configurations. The cable entry shall be through an adjustable connector opening. The housing size shall not exceed 3 1/4"H x 5 5/8"W x 12 1/2"D. The housing's weight shall not exceed 1.1 lbs. and it shall have 1/2 x 20 mounting connection.

WV-7120D Dustproof Indoor Housing

- Mounts from top
- Use with most 2/3" series cameras with fixed focal lens
- Direct wiring



WV-7120D

ARCHITECTS' AND ENGINEERS' BID SPECIFICATIONS

The dustproof indoor camera housing shall be a Panasonic Model WV-7120D or equivalent. It shall be compatible for use with Panasonic CCVE cameras with various lenses. The housing shall be mounted from the top, with direct wiring, on a bracket/brace (Panasonic WV-7010A, WV-7015/WV-831) or on a pan/tilt mechanism (Panasonic WV-7220D, WV-7230D, WV-7225). The housing's dimensions shall not exceed 4 7/8"H x 5 5/8"W x 14"D. The housing's weight shall not exceed 3 lbs.

WV-7130D Dustproof Indoor Housing

- Mounts from top
- Use with most tube and CCD cameras with zoom lens
- Direct wiring



WV-7130D

ARCHITECTS' AND ENGINEERS' BID SPECIFICATIONS

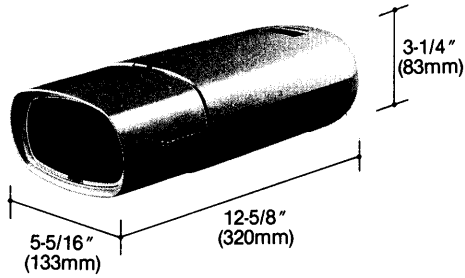
The dustproof indoor camera housing shall be a Panasonic Model WV-7130D or equivalent. It shall be compatible for use with Panasonic CCVE cameras with various lenses. The housing shall be mounted from the top, with direct wiring, on a bracket/brace (Panasonic WV-831) or on a pan/tilt mechanism (Panasonic WV-7230D). The housing's dimensions shall not exceed 6 5/8"W x 7 7/8"H x 20 1/8"D. The housing's weight shall not exceed 7.5 lbs.

Models	WV-7110A (indoor use)	WV-7120D (indoor use)	WV-7130D (indoor use)
Specifications			
Products Housed	Panasonic CCD cameras with fixed focal length lens	CCTV cameras with various lenses	CCTV cameras with various lenses
Mounting Bracket/Base	WV-7010A/7015/831P	WV-7010A/7015/831P	WV-831P
Pan/Tilt Mechanism	WV-7720D/7230D/7225	WV-7720D/7230D/7225	WV-7230D
Mounting	From top or bottom	From top	From top
Ambient Operating Temperature	Depends upon camera's specifications		
Ambient Operating Humidity	Depends upon camera's specifications	Less than 90%	
Dimensions (HxWxD)	3 1/4" x 5 5/8" x 12 1/2"	4 7/8" x 5 5/8" x 14"	7 7/8" x 6 5/8" x 20 1/8"
Weight	1.1 lbs. (0.5kg)	3 lbs. (1.4kg)	7.5 lbs. (3.6kg)

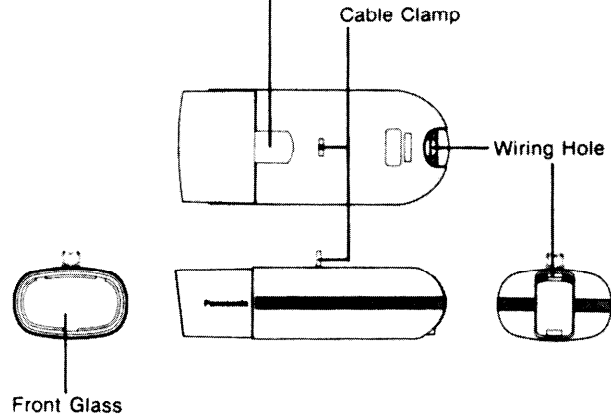
WV-7110A

Dustproof Indoor Housing

- *For most Panasonic CCVE CCD cameras with fixed focal length lenses.
- *Mounts from top or bottom, with direct wiring.
- *Can be installed and removed without disconnecting or separating the camera from the bracket.



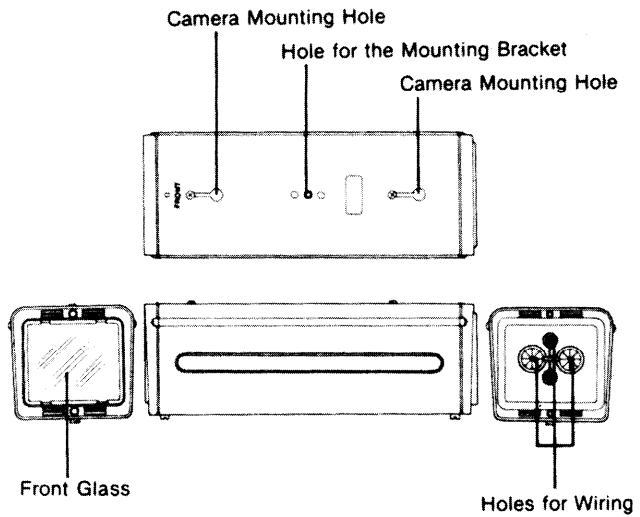
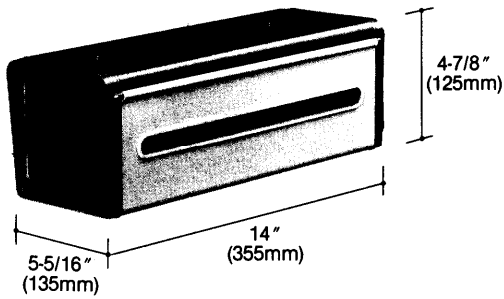
Open Space for the Mounting Block on a Camera



WV-7120D

Dustproof Indoor Housing

- *For CCVE cameras with various lenses. Mounts from top, with direct wiring.



WV-7130D

Dustproof Indoor Housing

- *For CCVE cameras with various lenses. Mounts from top, with direct wiring.

