

WV-BL730 Series Black-and-White FIT CCD Cameras

WV-BL730 (120VAC)
WV-BL734 (12VDC/24VAC)

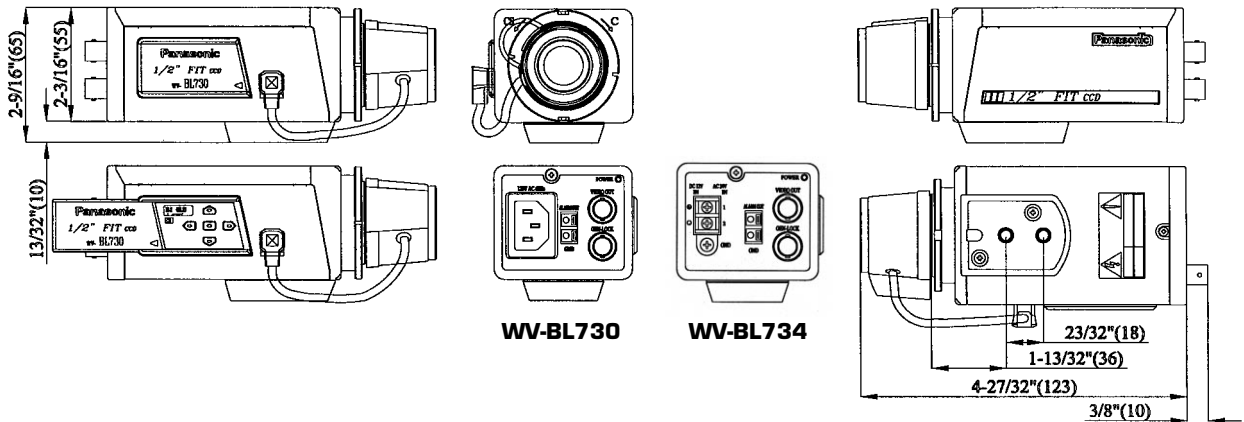
PRODUCT FEATURES

- Digital signal processing and digital functions
- 1/2" frame interline transfer CCD for reduction of smear
- High sensitivity 0.04 lux (.004 fc) at f/1.4
- 570-line horizontal resolution and a S/N ratio of 50dB
- Built-in digital motion detector with alarm output connector
- Electronic sensitivity-up for surveillance under severe conditions
- User-friendly on-screen set-up
- VD2 lock for roll-free camera switching over a single coaxial cable when used with Panasonic Matrix System 500, 850 and Multiplexer System 400 or data multiplex unit WJ-MP404

The Panasonic WV-BL730 1/2" FIT B/W camera overcomes the problem of vertical smear with the inclusion of the frame interline transfer CCD. Its remarkably low smear feature ensures that vertical smear does not deteriorate required image details. This offers a great advantage for nighttime or vehicle monitoring with its electronic sensitivity enhancement. The WV-BL730 also employs the 3rd generation DSP which creates excellent picture sharpness. The WV-BL730 offers cutting edge technology and performance for the most advanced CCTV applications.



Lens optional



**WV-BL730 Series
Black-and-White FIT CCD Cameras**

GENERAL SPECIFICATIONS

Pickup Device	771(H) x 492(V) pixels, frame interline transfer CCD
Scanning Area	6.4(H) x 4.8(V)mm (equivalent to 1/2" pick-up tube)
Synchronization	Internal sync/Line Lock/VD2, VS sync; 360 V-phase adjustment of line lock; H-phase adjustment; 75 ohms termination for the G/L
Scanning System Scanning	2:1 interlace 525 lines/60 fields/30 frames; Horizontal: 15.75kHz; Vertical: 60Hz 570 TV lines
Horizontal Resolution	570 TV lines
Video Output	1.0Vp-p EIA composite/75 ohms BNC connector
S/N Ratio	50dB (AGC OFF, weight ON)
Electronic Light Control	Equivalent to continuous variable shutter speed between 1/60-1/10,000 sec.
Minimum Illumination	0.01 lux at f/0.75 (equivalent to 0.04 lux at f/1.4)
Gain Control	Selectable AGC on or off
Automatic Light Compensation	ALC: 1:52,000/ELC: 1:10,000 selectable ALC or ELC
ALC Lens Drive	Video servo/DC servo selectable

Lens Mount Function	C-/CS-mount
Communication Camera Title	Single wire 16-character display (alphabet, numeric, symbols)
Electronic Shutter AGC	1/60 (off), 1/100, 1/250, 1/500, 1/1000, 1/2000, 1/4000, 1/10,000 SEC. On/off
Electronic Sensitivity Up	Auto: X2, X4, X6, X10, X16, X32 Fix: X2, X4, X6, X10, X16, X32
Motion Detector	On/off 6 x 8 masking area available for masking (sensing area is 12 x 16 zone)
Back Light Compensation	6 x 8 masking area available for BLC
Operating Temperature	14°F - 122°F (-10°C ~ +50°C)
Operating Humidity	Less than 90%
Power Source	WV-BL730: 120VAC, 60Hz WV-BL734: 12VDC/24VAC, 60Hz
Power Consumption	WV-BL730: 5.3W WV-BL734: 5.4W/570mA
Dimensions	2 3/16"H x 2 5/8"W x 4 13/16"D (65 x 67 x 123mm)
Weight	WV-BL730: 0.9 lbs. (0.41kg) (without power cord) WV-BL734: 0.88 lbs. (0.40kg)

STANDARD ACCESSORIES

- 1 pc. Body cap
 - 1 pc. ALC lens connector (YFE4191J100)
 - 1 pc. AC power cord (only WV-BL730)
- Weights and dimensions shown are approximate. Specifications subject to change without notice.

ARCHITECTS' AND ENGINEERS' BID SPECIFICATIONS

WV-BL730

The digital signal processing (DSP) black-and-white FIT CCD camera shall be Panasonic model WV-BL730 or equivalent. The WV-BL730 camera shall incorporate a 1/2" frame interline transfer CCD for reducing smear, 382,000 [771(H) x 492(V)] effective pixels, achieve lower smear and high sensitivity of 0.04 lux at f/1.4. The camera shall display outstanding 570 lines of horizontal resolution and S/N ratio of 50dB. The WV-BL730 camera shall feature a built-in digital motion detector within the compact body. The camera shall also feature intelligent digital back light compensation, and electronic sensitivity-up for real surveillance purposes under severe conditions. Both the digital motion detector and the back light compensation features shall utilize a 48 segment mask with an 8-position sensitivity level adjust. For better picture quality, the camera shall feature selectable DC/video for ALC lens, digital 2H enhancer, smear level of -120 and digital white detective ATW. The camera shall be C-/CS-mount selectable. The WV-BL730 shall offer user-friendly on-screen set-up and adjustment of camera ID, ELC plus many other features. A special menu shall allow fine adjustment of chrominance, pedestal and aperture level. The WV-BL730 shall provide a variety of synchronization modes. They shall provide color genlock to help ensure optimum performance with image processors and screen splitters. They shall also feature VD2 lock over a single coaxial cable when used with the Matrix Systems and/or data multiplexing unit. Line lock shall provide roll-free picture switching. The video, camera control and synchronization signal shall be transmitted up to 3000' over coaxial cable (Belden 9259 or equivalent), when used with the Panasonic model WJ-FS616/WV-PB6164 multiplexer with control kit, Matrix System 500, Matrix System 850 and single camera controller, model WV-CU151. The power source for the WV-BL730 shall be 120VAC, 60Hz. All units must be UL listed.

WV-BL734

The digital signal processing (DSP) black-and-white FIT CCD camera shall be a Panasonic model WV-BL734 or equivalent. The WV-BL734 camera shall incorporate a 1/2" frame interline transfer CCD for reducing smear, 382,000 [771(H) x 492(V)] effective pixels, achieve lower smear and high sensitivity of 0.04 lux at f/1.4. The camera shall display outstanding 570 lines of horizontal resolution and a S/N ratio of 50dB. The WV-BL734 camera shall feature a built-in digital motion detector within the compact body. The camera shall also feature intelligent digital back light compensation and electronic sensitivity-up for real surveillance purposes under severe conditions. Both the digital motion detector and back light compensation features shall utilize a 48 segment mask with an 8-position sensitivity level adjust. For better picture quality, the camera shall feature selectable DC/video for ALC lens, digital 2H enhancer, smear level of -120 and digital white detective ATW. The camera shall be C-/CS-mount selectable. The WV-BL734 shall offer user-friendly on-screen set-up and adjustment of camera ID, ELC plus many other features. A special menu shall allow fine adjustment of chrominance, pedestal and aperture level. The WV-BL734 shall provide a variety of synchronization modes. They shall provide color genlock to help ensure optimum performance with image processors and screen splitters. They shall also feature VD2 lock over a single coaxial cable when used with the Matrix Systems and/or data multiplexing unit. Line lock shall provide roll-free picture switching. The video, camera control and synchronization signal shall be transmitted up to 3000' over coaxial cable (Belden 9259 or equivalent), when used with the Panasonic model WJ-FS616/WV-PB6164 multiplexer with control kit, Matrix System 500, Matrix System 850 and single camera controller, model WV-CU151. The camera shall be powered by either 12VDC or 24VAC, 60Hz. All units must be UL listed.