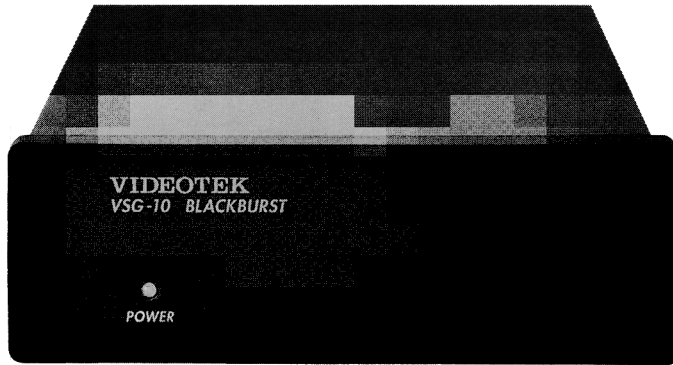


VSG-10 & VSG-10F NTSC/PAL BLACKBURST GENERATOR



VSG-10



VSG-10F

The **VSG-10** is a unique, versatile, flexible and accurate blackburst generator for use in either NTSC or PAL video systems. This small, self-contained blackburst generator operates on either 115 or 230 AC mains and may be set to operate in either NTSC or PAL at either voltage setting. Both signal format mode and power input selections are via internal jumper settings. The VSG-10 provides three blackburst outputs on BNC type connectors on the rear panel. The output signals are digitally generated from an extremely stable TCXO and meet the most stringent requirements of either PAL or NTSC applications. The VSG-10 uses a detachable 3 wire power cord connection in accordance with IEC-320. Mating power cords sets are readily available, eliminating a major problem encountered in worldwide usage... "plugging the unit in". Available both in a stand-alone version and for OMNIFRAME™, this all adds up to prove that the VSG-10 is the best choice for a low cost, high quality blackburst generator for use anywhere in the world.

FEATURES

- Three stable blackburst outputs
- NTSC or PAL in a single unit
- IEC-320 power connection
- CE certified (VSG-10)
- Rack mountable, using DAT-1
- Also available in OMNIFRAME configuration (VSG-10F)
- Five year warranty - covering all parts and labor

VSG-10/10F SPECIFICATIONS

VIDEO

OUTPUTS:

Three analog composite blackburst,
NTSC or PAL format
(internal jumper selectable)

CONNECTORS:

BNC female

OUTPUT IMPEDANCE:

75Ω nominal

CHROMA SUBCARRIER:

3.579545 MHz, ±10 Hz (NTSC),
4.433619 MHz, ±10 Hz (PAL),
10° to 40°C

OUTPUT LEVEL

NTSC:

Sync: -40 IRE ±1 IRE
Burst: 40 IRE ±1 IRE
Setup: 7.5 IRE ±1 IRE

PAL:

Sync: -43 units ±1 unit
Burst: 43 units ±1 unit
Setup: none

POWER REQUIREMENTS

INPUT:

90 to 132/180 to 264 VAC,
50/60 Hz, nominal

CONSUMPTION:

8 VA, typical

CONNECTOR:

per IEC-320

CORD:

3 wire, detachable

ENVIRONMENTAL

OPERATING TEMPERATURE:

0° to 50°C

STORAGE TEMPERATURE:

-40° to 85°C

HUMIDITY:

90% maximum (non-condensing)

MECHANICAL

DIMENSIONS:

Height: 1.74" (4.4cm)
Width: 5.25" (13.3 cm)
Depth: 9.9" (25.15 cm)

WEIGHT:

2.2 lb (1.0kg)

STANDARD ACCESSORIES

Operator's Manual

OPTIONS (see page 67)

DAT-1:

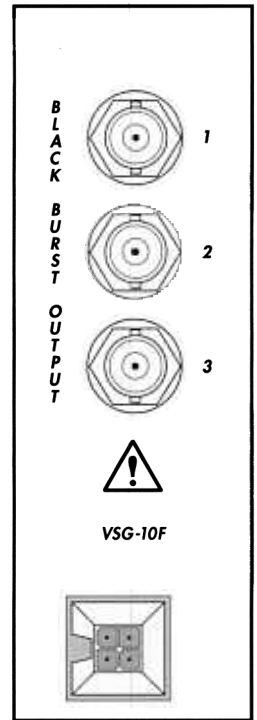
Rackmount Tray

DAT-2:

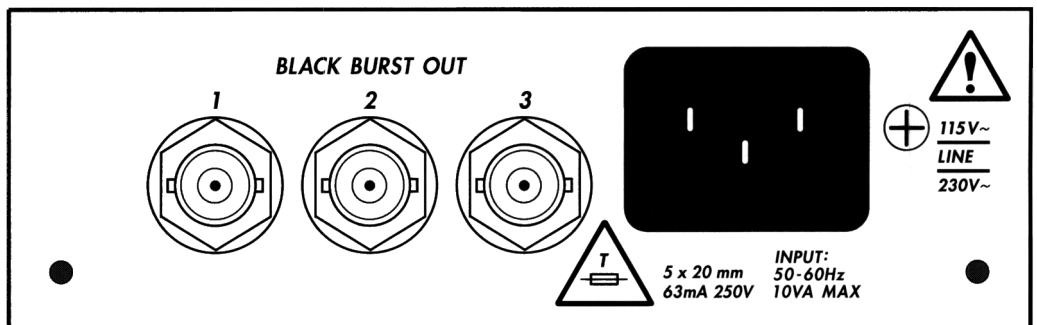
Blank Panel for DAT-1

CONFIGURATIONS

VSG-10 Stand-alone version
VSG-10F OMNIFRAME version



VSG-10F REAR PANEL



VSG-10 REAR PANEL