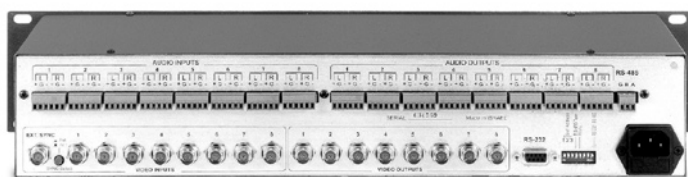
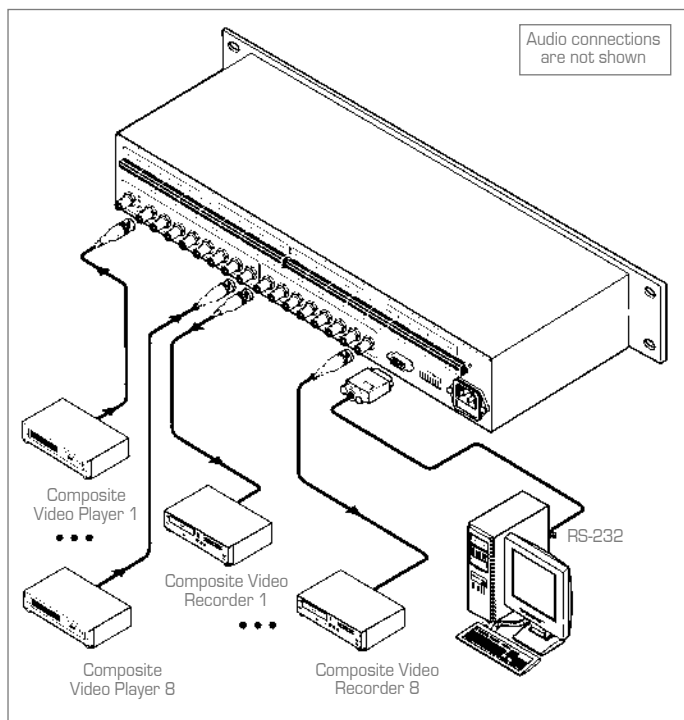


**VS-848****8x8 Composite Video & Balanced Audio Matrix Switcher**

The **VS-848** is a high performance matrix switcher for composite video and balanced stereo audio signals. Switching during the vertical interval ensures glitch-free switching with genlocked sources.

**FEATURES**

- **Bandwidth** - 200MHz (-3dB) fully loaded.
- **Control** - Front panel, RS-232 (K-Router™ Windows®-based software is included), & RS-485.
- **Take Button** - Execute multiple switches all at once.
- **Memory Locations** - Store multiple switches as presets (salvos) to be recalled and executed when needed.
- **Audio Breakaway Switching.**
- **Vertical Interval Switching.**
- **Switching Synchronization** - Synchronize either to external reference or the incoming video.
- **Selectable Sync Signal Termination.**
- **Standard 19" Rack Mount Size** - 2U.

**TECHNICAL SPECIFICATIONS**

<b>INPUTS:</b>	8 composite video, 1Vpp/75Ω on BNC connectors. 1 Sync/Video Genlock 1Vpp/75Ω with sync select switch. 8 balanced audio stereo, + 4dBm/33kΩ on detachable terminal blocks.
<b>OUTPUTS:</b>	8 composite video, 1Vpp/75Ω on BNC connectors. 8 balanced audio stereo, + 4dBm/50Ω on detachable terminal blocks. 24Vpp (> 27dBm).
<b>MAXIMAL AUDIO:</b>	
<b>BANDWIDTH (-3dB):</b>	Video: 200MHz. Audio: 100kHz.
<b>NON LINEARITY:</b>	0.1%.
<b>DIFF. GAIN:</b>	0.05%.
<b>DIFF. PHASE:</b>	0.03 Deg.
<b>K-FACTOR:</b>	< 0.05%.
<b>VIDEO S/N:</b>	74dB.
<b>AUDIO S/N:</b>	84dB. Unweighted (1Vpp).
<b>VIDEO CROSSTALK:</b>	- 50dB @ 5MHz.
<b>CONTROL:</b>	Manual, RS-232 or RS-485.
<b>AUDIO THD:</b>	0.025% (1V, 1kHz).
<b>2nd HARMONIC:</b>	0.013%.
<b>SWITCHING:</b>	Vertical interval.
<b>POWER SOURCE:</b>	230VAC, 50/60Hz, (115VAC, U.S.A.), 14VA.
<b>DIMENSIONS:</b>	19 inch (W), 7 inch (D) 2U (H) rack mountable.
<b>WEIGHT:</b>	3.5kg. (7.8lbs.) approx.
<b>ACCESSORIES:</b>	Power cord, WIndows®-based control software, Null modem adapter.

