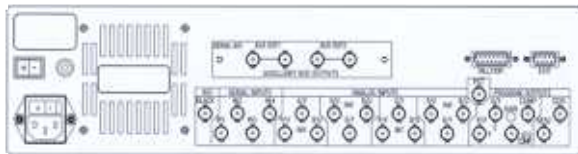
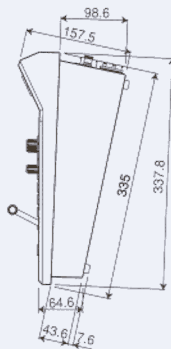
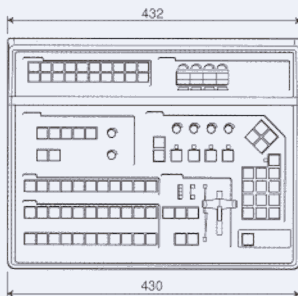


■ Component Digital/Analog Video Mixer

Mighty Mix



▲ Rear Panel

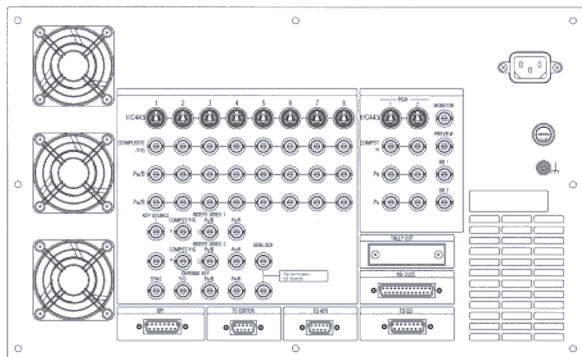


Compact and single unit analog/digital component 1ME vision mixer with analog preview output and optional DVE capability. Ideal for small edit suites, A/B roll edit systems, and many, many more applications.

- 4 ea. 8/10 bit serial digital inputs, 4 ea. RGB or YUV select 8 bit analog component inputs.
 - 2ea. 8/10 bit select serial digital PGM outputs (add 4 ea. w/ AUX option), 1 analog composite output, 1 ea. RGB or YUV (YPbPr) select output.
 - Program, preset, key fill, and key source buses.
 - Digital inputs automatically self timed to within +/-27µs (or +/-5µs).
 - 32 to 16 bit wide internal signal processing and 16:9 aspect ratio ready.
 - Full range of transitions, including, NAM and FAM. (Advanced 65 wipe pattern generator option.)
 - Fill keys from key fill bus or matte generator.
 - Key sources auto track associated fills, select keys as normal or cyber/linear.
 - Independent matte generators for bkgd, wipe border and key matte fill. Dedicated key mask box generator.
 - Apply chroma key to any input, full key adjustments, 4 :4 :4 processing and key auto adjust.
 - Color bkgd, color bar, and black generators standard.
 - GPI interface and tally outputs for all PGM bus primary inputs.
 - 100 register memory, and serial protocol editor interface standard.
 - Add wipe generator option or (serial digital component) AUX bus output option.
 - DVE* option adds 99 preprogrammed, frame processed, 3D DVE effects for quick call up and use.
- (* Note AUX or DVE option can be installed. Not both.)

Video Production System

VPS-300/P

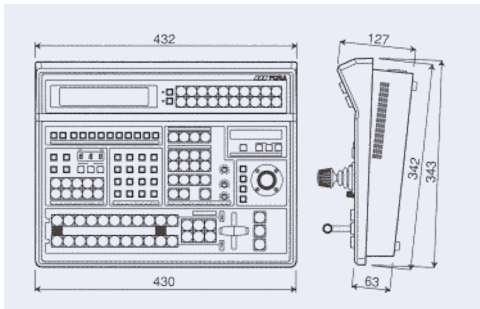
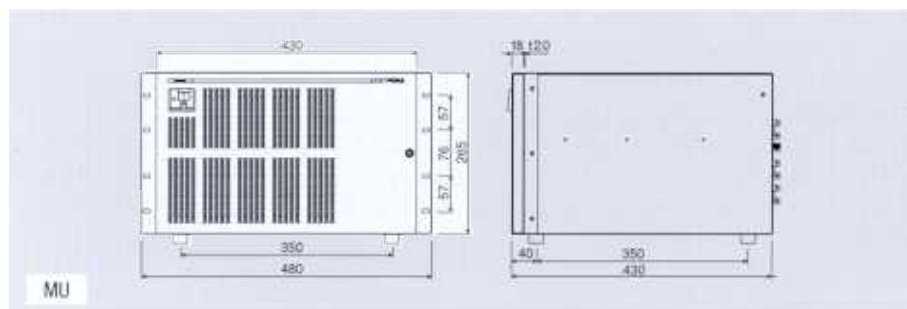


MU Rear Panel ▶

Flexible, menu-driven, open architecture switcher with user demanded functions plus optional 3D DVE effects. Convenience features such as design backgrounds, pre-programmed wipes /moves with pattern modifiers, and internal matte/color generators.

- 4:2:2 component processing.
- Add special realistic looking effects such as blocks, curtains, and more.
- Process settings for all input signals menu adjustable and independently set.
- 2 priority select keys possible with key modifiers such as edge, border, other.
- Flying keys, forced background effects possible.
- Extensive event memory to program effects, effects sequences; user programming possible.
- Manual or auto switchover of commonly demanded transitions such as fade to/from black, DSK.

(Actual functions available depend on options installed.)



Standard	NTSC or PAL
Primary Inputs	(8 inputs. Selectable as one of below.)
Composite	1.0Vp-p, 75Ω, BNC
Y/C	Y: 1.0Vp-p; C: 0.286(0.3)Vp-p, burst level, 75Ω, BNC
YPbPr	Y: 1.0Vp-p; Pb/Pr: 0.7Vp-p, 75Ω, BNC
RGB	G: 1.0Vp-p (G SYNC added) B, R: 0.7Vp-p, 75Ω, BNC
	1.0Vp-p, 2 ea., 75Ω, BNC (Keyer 1/2 (option))
	(2 inputs. Selectable as 1 below.) (Keyer 1/2 (option))
	1.0Vp-p, 75Ω, BNC
	Y: 1.0Vp-p; C: 0.286(0.3)Vp-p, (burst level), 75Ω, BNC
	Y: 1.0Vp-p; Pb/Pr: 0.7Vp-p, 75Ω, BNC
	G: 1.0Vp-p (G SYNC added) B, R: 0.7Vp-p, 75Ω, BNC
	(1 input, YPbPr / RGB selectable)
	Y: 1.0Vp-p; Pb/Pr: 0.7Vp-p, 75Ω, BNC
	G: 1.0Vp-p; B, R: 0.7Vp-p, 75Ω, BNC
	Genlock BB: 0.429 (0.45)Vp-p, 1 ea., 75Ω or loopthrough, BNC
	1.0Vp-p, 4 ea. (2 PGM, PREV, MONITOR), 75Ω, BNC
	Y: 1.0Vp-p; C: 0.286(0.3)Vp-p, burst level, 2 ea., 75Ω, BNC
	Y: 1.0Vp-p; Pb/Pr: 0.7Vp-p, 2 ea., 75Ω, BNC
	0.429 (0.45)Vp-p, 2 ea., 75Ω, BNC
	RS-422 GVG-100, 9-pin D-sub, 2 ea.; GPI: 15 pin D-sub
	Composite: Y: 5.5MHz, -3dB, C: 3.58 MHz, +/-0.5MHz, -3dB (C:4.43MHz +/-0.5MHz, -3dB)
	Component: Y: 5.5MHz, -3dB. Pb/Pr: 2.3MHz, -3dB
Sampling / Quantization	Y: 13.5MHz; C: 6.75MHz (4:2:2) / Y, C 8 bits each
DG, DP / K Factor	3%, 2 degrees (APL 10-90%) / 2% (2T pulse)
S/N Ratio / Crosstalk	More than 54dB 3.58 (4.43) MHz (Random noise) / More than 53dB 3.58 (4.43) MHz
Power/Consumption	100 - 117VAC or 220 - 240VAC, 50/60Hz/MU: Approx. 360VA, OU: Approx. 50VA
Dimensions / Weight	MU : 430(W) x 265(H) x 430(D) mm, OU : 430(W) x 135(H) x 343(D) mm / MU : Approx. 27kg, OU : Approx. 6kg
Options	VPS-400T3D 3D Effects unit, preprogrammed effects software, VPS-300KC Key Channel, VPS-300KY1/VPS-300KY2 key units, VPS-300CK Chroma Keyer, VPS-300 TOU Tally Out Unit